



NEW



Lift the same load with a lighter wire



10% wider shackle crown



save 20% on wire rope



range from 125t - 1250t

The Green Pin Power Sling® Shackle lets you save up to 20% on synthetic- and wire rope costs thanks to its revolutionary design. It has an optimal D/d ratio and the widest crown (+10%) in the industry. Each shackle has been individually proofload tested to twice the Working Load Limit; more than any other competing product. Material characteristics have been thoroughly examined, both internally and in the shackle's surface, by MPI-tests, ultrasonic inspection and X-ray tests. The Power Sling® also offers riggers great handling thanks to the lower body weight, multiple handling points and RFID-chips in both shackle body and pin.

For more information please contact us: sales@vanbeest.com

greenpin.com/power

A VAN BEEST BRAND



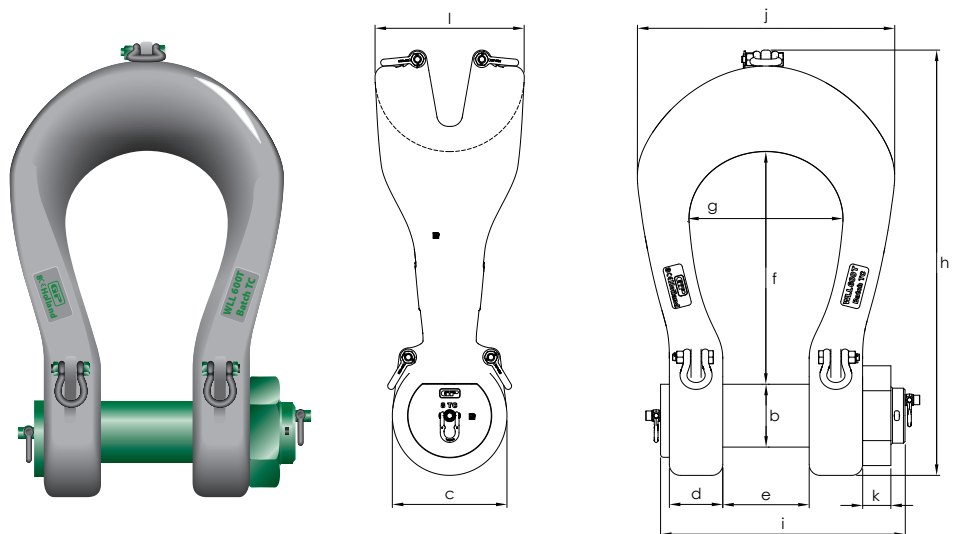
Product update

July 2017

Green Pin Power Sling Shackles®

- Product code:** P-6043
Material: Body and pin alloy steel, Grade 8, quenched and tempered
Safety Factor: MBL equals 5 x WLL
Finish: Shackle body painted silver, pin painted green
Temperature Range: -40 °C up to +200 °C
Certification: At no extra charges this product can be supplied with a:
- 2.1 and 2.2 works certificate
 - 3.1 material certificate
 - Manufacturer test certificate
 - EC declaration of Conformity
 - All shackles are supplied with a Lloyd's Register of Shipping Certificate on proof load.
 - Magnetic Particle Inspection certificate
 - US inspection certificate

working load limit	diameter pin	diameter eye	width eye	width inside	length inside	width bow	length	length bolt	width	thickness nut	bearing surface	weight each
t	b mm	c mm	d mm	e mm	f mm	g mm	h mm	i mm	j mm	k mm	l mm	kg
125	80	166	85	134	364	220	631	382	370	36	205	95
150	95	182	90	144	389	250	703	408	420	42	248	134
200	105	204	100	154	479	276	838	446	475	47	290	195
250	120	238	110	174	539	300	938	503	515	60	314	271
300	134	260	121	189	599	350	1031	550	605	60	345	368
400	160	305	140	224	620	370	1123	645	652	80	392	563
500	180	340	152	255	679	450	1239	714	763	85	440	786
600	200	365	170	280	739	490	1353	788	820	90	475	1009
700	215	405	190	320	750	540	1415	879	895	100	512	1288
800	230	430	200	347	850	554	1547	942	917	108	536	1503
900	255	476	215	373	850	580	1598	1013	970	120	560	1849
1000	270	500	232	404	850	614	1642	1085	1022	125	590	2188
1250	300	570	245	442	928	650	1812	1164	1144	140	670	2933





NEW



Lift the same load with a lighter wire



10% wider shackle crown



save 20% on wire rope



range from 125t - 1250t

The Green Pin Power Sling® Shackle lets you save up to 20% on synthetic- and wire rope costs thanks to its revolutionary design. It has an optimal D/d ratio and the widest crown (+10%) in the industry. Each shackle has been individually proofload tested to twice the Working Load Limit; more than any other competing product. Material characteristics have been thoroughly examined, both internally and in the shackle's surface, by MPI-tests, ultrasonic inspection and X-ray tests. The Power Sling® also offers riggers great handling thanks to the lower body weight, multiple handling points and RFID-chips in both shackle body and pin.

For more information please contact us: sales@vanbeest.com

greenpin.com/power

A VAN BEEST BRAND



Product update

July 2017

Green Pin Power Sling Shackles®

Product code: P-6043

Material: Body and pin alloy steel, Grade 8, quenched and tempered

Safety Factor: MBL equals 5 x WLL

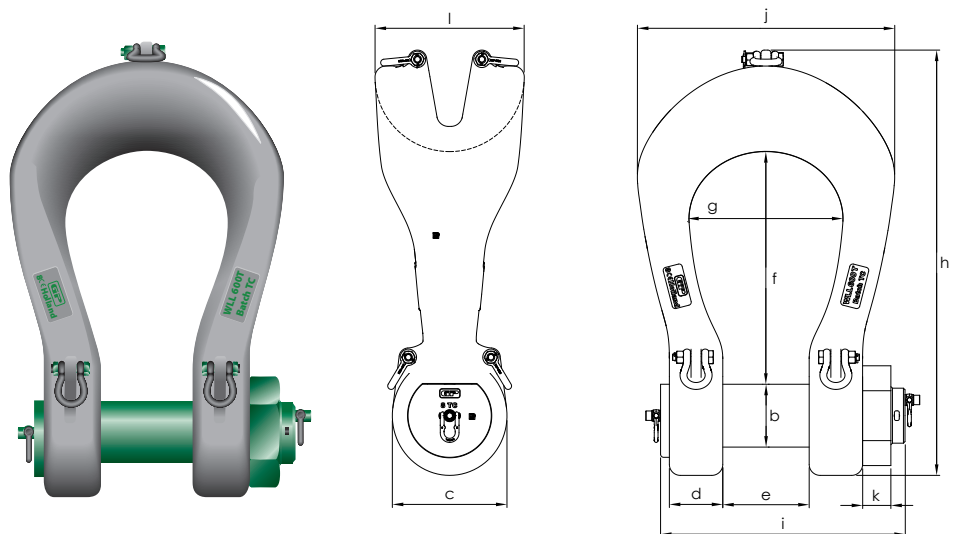
Finish: Shackle body painted silver, pin painted green

Temperature Range: -40 °C up to +200 °C

Certification: At no extra charges this product can be supplied with a:

- 2.1 and 2.2 works certificate
- 3.1 material certificate
- Manufacturer test certificate
- EC declaration of Conformity
- All shackles are supplied with a Lloyd's Register of Shipping Certificate on proof load.
- Magnetic Particle Inspection certificate
- US inspection certificate

working load limit	diameter pin	diameter eye	width eye	width inside	length inside	width bow	length	length bolt	width	thickness nut	bearing surface	weight each
t	b inch	c inch	d inch	e inch	f inch	g inch	h inch	i inch	j inch	k inch	l inch	lbs
125	3 5/32	6 17/32	3 11/32	5 9/32	14 11/32	8 21/32	24 27/32	15 1/32	14 9/16	1 13/32	8 1/16	210
150	3 3/4	7 5/32	3 17/32	5 21/32	15 5/16	9 27/32	27 11/16	16 1/16	16 17/32	1 21/32	9 3/4	296
200	4 1/8	8 1/32	3 15/16	6 1/16	18 7/8	10 7/8	33	17 9/16	18 11/16	1 27/32	11 13/32	430
250	4 23/32	9 3/8	4 11/32	6 27/32	21 7/32	11 13/16	36 15/16	19 13/16	20 9/32	2 3/8	12 3/8	598
300	5 9/32	10 1/4	4 3/4	7 7/16	23 19/32	13 25/32	40 19/32	21 21/32	23 13/16	2 3/8	13 19/32	812
400	6 5/16	12	5 1/2	8 13/16	24 13/32	14 9/16	42 7/16	25 3/8	25 21/32	3 5/32	15 7/16	1242
500	7 3/32	13 3/8	5 31/32	10 1/32	26 23/32	17 23/32	48 25/32	28 1/8	30 1/32	3 11/32	17 5/16	1733
600	7 7/8	14 3/8	6 11/16	11 1/32	29 3/32	19 9/32	53 9/32	31 1/32	32 9/32	3 17/32	18 11/16	2225
700	8 15/32	15 15/16	7 15/32	12 19/32	29 17/32	21 1/4	55 23/32	34 19/32	35 1/4	3 15/16	20 5/32	2840
800	9 1/16	16 15/16	7 7/8	13 21/32	33 15/32	21 13/16	60 29/32	37 3/32	36 3/32	4 1/4	21 3/32	3314
900	10 1/32	18 3/4	8 15/32	14 11/16	33 15/32	22 27/32	62 29/32	39 7/8	38 3/16	4 23/32	22 1/16	4077
1000	10 5/8	19 11/16	9 1/8	15 29/32	33 15/32	24 3/16	64 21/32	42 23/32	40 1/4	4 29/32	23 7/32	4824
1250	11 13/16	22 7/16	9 21/32	17 13/32	36 17/32	25 19/32	71 11/32	45 27/32	45 1/32	5 1/2	26 3/8	6467



greenpin.com/power

A VAN BEEST BRAND

