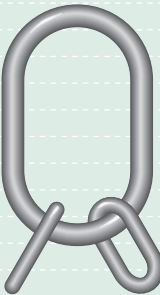
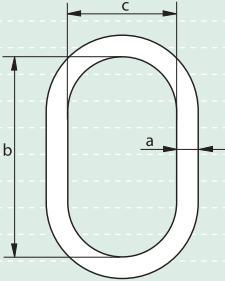
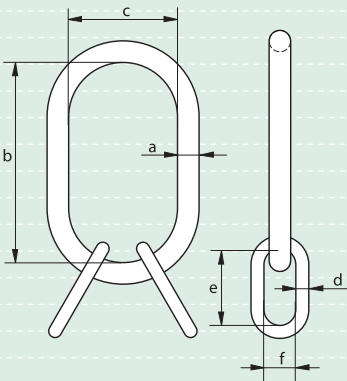


P-6810



P-6820



VAN BEEST B.V. Manufacturer and Supplier of wire rope and chain fittings. Reg. trade marks 'Green Pin' and 'Excel'



PO. Box 57
3360 AB Sliedrecht
The Netherlands
Industrieweg 6
3361 HJ Sliedrecht
Telephone +31 184 41 33 00
Telefax +31 184 41 49 59
E-mail sales@vanbeest.com
Internet www.vanbeest.com

Van Beest introduces a new type of master link and master link assembly to the program. These master links are DNV type approved to certification note 2.7-1, lifting sets for offshore containers, certification no. S-5678. They can be supplied directly from stock.

In oil and gas production, safety is all important. The working conditions are tough and products have to be able to sustain extreme conditions. These master links are ideal for use in this high-risk environment, where strength, durability and quality are of the utmost importance.

Green Pin® master links are best used with Green Pin® Standard and Polar shackles, which are also DNV type approved.

Please find herewith the latest Van Beest product information including details of these master links.

For more information please contact us: sales@vanbeest.com



Master links DNV, grade 8

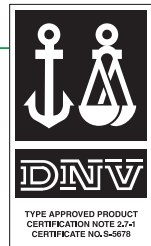
- **Material** : alloy steel, Grade 8
- **Safety Factor** : MBL equals 4 x WLL
- **Standard** : DNV 2.7-1, EN 12079-2 and EN 1677-4
- **Finish** : painted orange
- **Certification** : at no extra charges this product can be supplied with a works certificate and/or EC Declaration of Conformity



working load limit	diameter		length inside		width inside		weight each
	t	a mm	b mm	c mm	kg		
4.1	16	150	75	0.72			
5.8	22	270	140	2.3			
8.83	26	270	140	2.7			
11.8	28	270	140	3.8			
14.5	28	200	110	3			
17.1	32	270	140	5.1			
23	36	270	140	6.5			
28.1	40	280	155	8.5			
35	45	320	175	12.2			
45	50	350	195	16.6			
65	60	410	220	29.2			
85	70	450	250	44.3			

Master link assemblies DNV, grade 8

- **Material** : alloy steel, Grade 8
- **Safety Factor** : MBL equals 4 x WLL
- **Standard** : DNV 2.7-1, EN 12079-2 and EN 1677-4
- **Finish** : painted orange
- **Certification** : at no extra charges this product can be supplied with a works certificate and/or EC Declaration of Conformity



working load limit	diameter		length inside		width inside		weight each
	t	a mm	b mm	c mm	d	e	
4.1	16	150	75	14	130	65	1.3
5.8	22	270	140	16	150	75	3.8
8.83	26	270	140	20	140	70	5.3
11.8	28	270	140	20	140	70	5.9
17.1	32	270	140	26	190	102	9.7
23	36	270	140	28	190	100	11.9
28.1	40	280	155	32	200	110	16.4
35	45	320	175	36	225	125	23.5
45	50	350	195	40	260	130	32.3
65	60	410	220	50	350	195	63.9
85	70	450	250	60	410	220	103

